

MMBT4403

PNP GENERAL PURPOSE SWITCHING TRANSISTOR

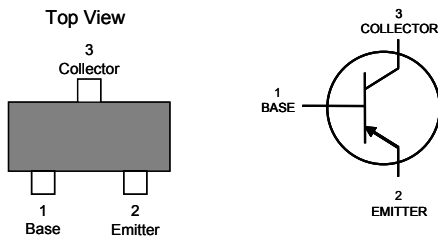
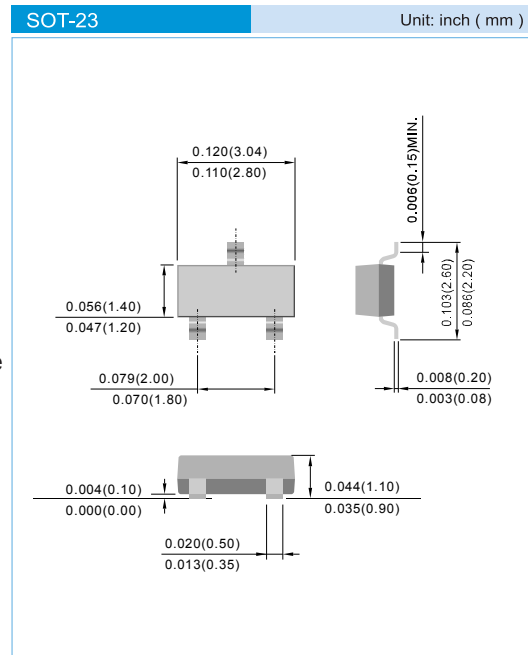
VOLTAGE	40V	POWER	225mW
----------------	------------	--------------	--------------

FEATURES

- PNP epitaxial silicon, planar design
- Collector-emitter voltage $V_{CE} = -40V$
- Collector current $I_C = -600mA$
- Complimentary (NPN) device: MMBT4401
- Lead free in compliance with EU RoHS 2011/65/EU directive
- Green molding compound as per IEC61249 Std. .
- (Halogen Free)

MECHANICAL DATA

- Case: SOT-23
- Terminals: Solderable per MIL-STD-750, Method 2026
- Approx Weight: 0.0003 ounces, 0.0084 grams
- Marking: M3A



ABSOLUTE MAXIMUM RATINGS

PARAMETER	SYMBOL	VALUE	UNIT
Collector - Emitter Voltage	V_{CEO}	-40	V
Collector - Base Voltage	V_{CBO}	-40	V
Emitter - Base Voltage	V_{EBO}	-5.0	V
Collector Current - Continuous	I_C	-600	mA
Max Power Dissipation (Note 1)	P_{TOT}	225	mW
Junction and Storage Temperature Range	T_J, T_{STG}	-55 to 150	$^{\circ}C$

THERMAL CHARACTERISTICS

PARAMETER	SYMBOL	VALUE	UNIT
Thermal Resistance , Junction to Ambient (Note 1)	$R_{\theta JA}$	556	$^{\circ}C/W$

Note 1: Transistor mounted on FR-4 board 70 x 60 x 1mm. using minimum recommended pad.

MMBT4403

ELECTRICAL CHARACTERISTICS ($T_j = 25^\circ\text{C}$, unless otherwise noted)

PARAMETER	SYMBOL	Test Condition	MIN.	TYP.	MAX.	UNIT
Collector - Emitter Breakdown Voltage	$V_{(BR)CEO}$	$I_C = -1.0\text{mA}$, $I_B = 0$	-40	-	-	V
Collector - Base Breakdown Voltage	$V_{(BR)CBO}$	$I_C = -100\mu\text{A}$, $I_E = 0$	-40	-	-	V
Emitter - Base Breakdown Voltage	$V_{(BR)EBO}$	$I_E = -100\mu\text{A}$, $I_C = 0$	-5.0	-	-	V
Base Cutoff Current	I_{BEV}	$V_{CE} = -35\text{V}$, $V_{EB} = -0.4\text{V}$	-	-	-100	nA
Collector Cutoff Current	I_{CEX}	$V_{CE} = -35\text{V}$, $V_{EB} = -0.4\text{V}$	-	-	-100	nA
DC Current Gain	h_{FE}	$I_C = -0.1\text{mA}$, $V_{CE} = -1.0\text{V}$	30	-	-	
		$I_C = -1.0\text{mA}$, $V_{CE} = -1.0\text{V}$	60	-	-	
		$I_C = -10\text{mA}$, $V_{CE} = -1.0\text{V}$	100	-	-	
		$I_C = -150\text{mA}$, $V_{CE} = -2.0\text{V}$	100	-	300	
		$I_C = -500\text{mA}$, $V_{CE} = -2.0\text{V}$	20	-	-	
Collector - Emitter Saturation Voltage	$V_{CE(SAT)}$	$I_C = -150\text{mA}$, $I_B = -15\text{mA}$ $I_C = -500\text{mA}$, $I_B = -50\text{mA}$	-	-	-0.4 -0.75	V
Base - Emitter Saturation Voltage	$V_{BE(SAT)}$	$I_C = -150\text{mA}$, $I_B = -15\text{mA}$ $I_C = -500\text{mA}$, $I_B = -50\text{mA}$	-0.75 -	-	-0.95 -1.3	V
Current-Gain – Bandwidth Product	f_T	$I_C = -20\text{mA}$, $V_{CE} = -10\text{V}$, $f = 100\text{MHz}$	200	-	-	MHz
Collector - Base Capacitance	C_{CBO}	$V_{CB} = -5.0\text{V}$, $I_E = 0$, $f = 1\text{MHz}$	-	-	8.5	pF
Emitter - Base Capacitance	C_{EBO}	$V_{CB} = -0.5\text{V}$, $I_C = 0$, $f = 1\text{MHz}$	-	-	30	pF
Delay Time	t_d	$V_{CC} = -30\text{V}$, $V_{BE} = -2.0\text{V}$, $I_C = -150\text{mA}$, $I_{B1} = -15\text{mA}$	-	-	15	ns
Rise Time	t_r	$I_C = -150\text{mA}$, $I_{B1} = -15\text{mA}$	-	-	20	ns
Storage Time	t_s	$V_{CC} = -30\text{V}$, $I_C = -150\text{mA}$, $I_{B1} = I_{B2} = 15\text{mA}$	-	-	225	ns
Fall Time	t_f	$I_{B1} = I_{B2} = 15\text{mA}$	-	-	30	ns

SWITCHING TIME EQUIVALENT TEST CIRCUITS

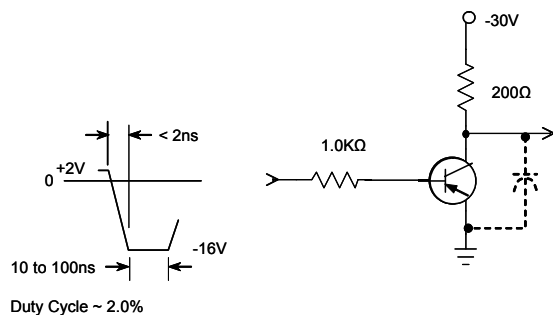


Fig. 1. Turn-On Time

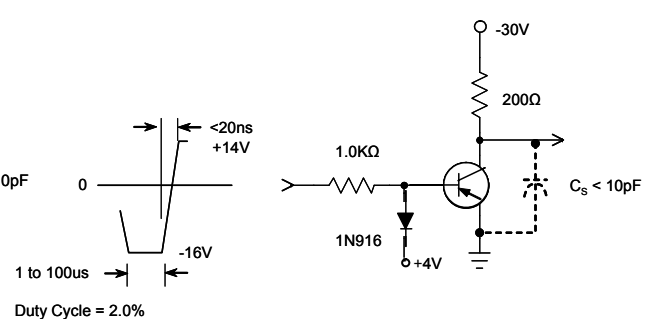


Fig. 2. Turn-Off Time

MMBT4403

ELECTRICAL CHARACTERISTICS CURVES

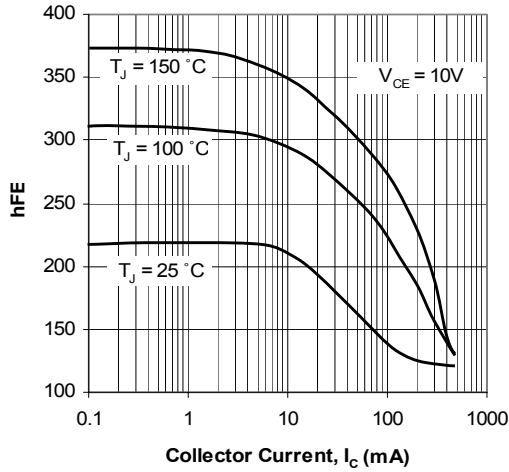


Fig. 3. Typical h_{FE} vs Collector Current

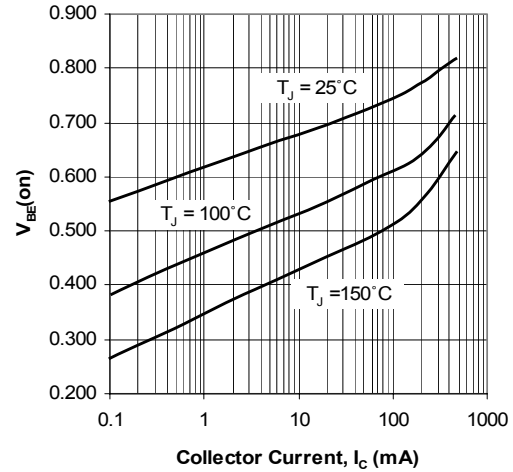


Fig. 4. Typical V_{BE} vs Collector Current

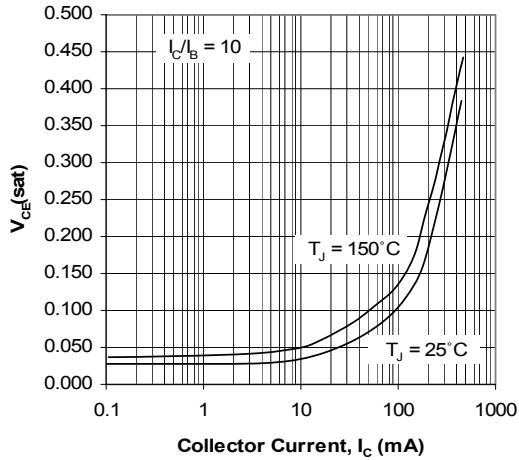


Fig. 5. Typical V_{CE} (sat) vs Collector Current

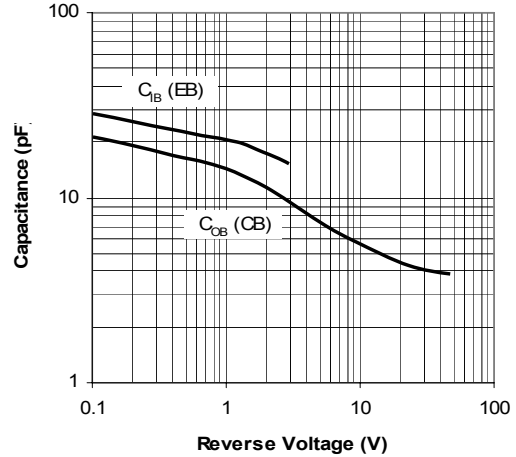


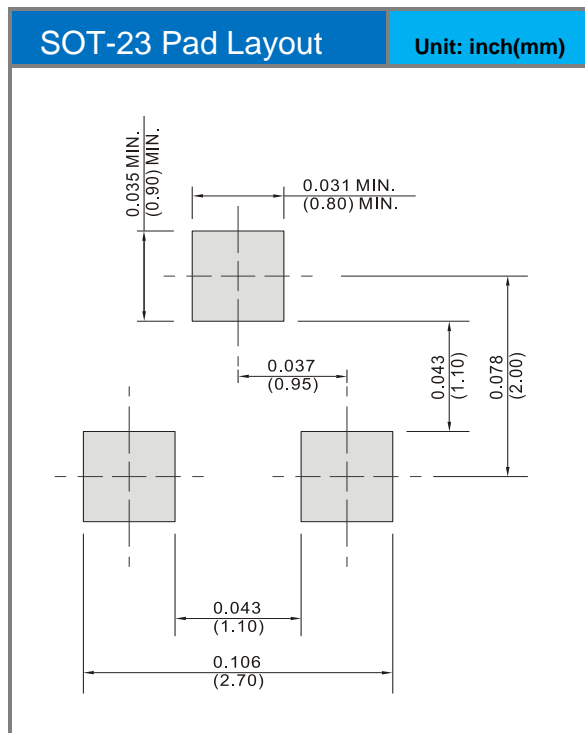
Fig. 6. Typical Capacitances vs Reverse Voltage

MMBT4403

Product and Packing Information

Part No.	Package Type	Packing Type	Marking
MMBT4403	SOT-23	3K pcs / 7" reel	M3A

Mounting Pad Layout



AA6H((\$'

Disclaimer

- Reproducing and modifying information of the document is prohibited without permission from Panjit International Inc..
- Panjit International Inc. reserves the rights to make changes of the content herein the document anytime without notification. Please refer to our website for the latest document.
- Panjit International Inc. disclaims any and all liability arising out of the application or use of any product including damages incidentally and consequentially occurred.
- Panjit International Inc. does not assume any and all implied warranties, including warranties of fitness for particular purpose, non-infringement and merchantability.
- Applications shown on the herein document are examples of standard use and operation. Customers are responsible in comprehending the suitable use in particular applications. Panjit International Inc. makes no representation or warranty that such applications will be suitable for the specified use without further testing or modification.
- The products shown herein are not designed and authorized for equipments requiring high level of reliability or relating to human life and for any applications concerning life-saving or life-sustaining, such as medical instruments, transportation equipment, aerospace machinery et cetera. Customers using or selling these products for use in such applications do so at their own risk and agree to fully indemnify Panjit International Inc. for any damages resulting from such improper use or sale.
- Since Panjit uses lot number as the tracking base, please provide the lot number for tracking when complaining.