

## GENERAL DESCRIPTION

The LM393 consists of two independent voltage comparators. They were designed specifically to operate from a single power supply over a wide range of voltages. Operation from split power supplies is also possible and the low power supply current drain is independent from the magnitude of the power supply voltage. The outputs can be connected to other open-collector outputs to achieve wired-AND relationships.

Available Package : SOP-8P

## FEATURES

- ◆ Wide Supply Voltage Range : 2 V to 36 V or  $\pm 1V$  to  $\pm 18V$
- ◆ Low Supply Current Drain independent from the Supply Voltage
- ◆ Low Input Biasing Current
- ◆ Low Input Offset Current
- ◆ Low Input Offset Voltage
- ◆ Input Common-mode Voltage Range includes GND
- ◆ Differential Input Voltage Range Equal to the Power Supply Voltage
- ◆ Low Output Saturation Voltage
- ◆ Output Voltage Compatible with TTL, MOS and CMOS Logic.
- ◆ Temperature Range:  $-40^{\circ}C$  to  $125^{\circ}C$

## APPLICATIONS

- ◆ A/D converters
- ◆ Wide range VCO
- ◆ Clock generator
- ◆ High voltage logic gate
- ◆ Multi vibrators

## ORDERING INFORMATION

ORDER NUMBER	Marking ID	Package	Description
PJ76393P_R2	PJ76393 PYMDNN	SOP-8P	Halogen free RoHS compliant in T/R, 3,000 pcs/Reel

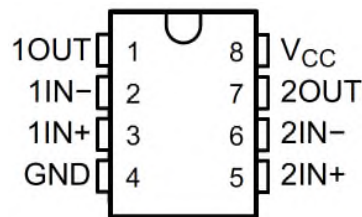
### Note 1

1. Panjit can meet RoHS 2.0/REACH requirement. So most package types Panjit offers only states halogen free, instead of lead free.

## MARKING INFORMATION

Marking ID	Package	Definition
PJ76393 PYMDNN	SOP-8P	PJ76393: Product code P: Package code Y: Year code M: Month code D: Day code NN: Serial No.

## PIN CONFIGURATION



SOP-8P (TOP VIEW)

## FUNCTIONAL PIN DESCRIPTION

TERMINAL		DESCRIPTION
NUMBER	NAME	
1	1OUT	Output pin of comparator 1
2	1IN-	Inverting Input Pin of comparator 1
3	1IN+	Non-Inverting Input Pin of comparator 1
4	GND	Ground Pin
5	2IN+	Non-Inverting Input Pin of comparator 2
6	2IN-	Inverting Input Pin of comparator 2
7	2OUT	Output Pin of comparator 2
8	VCC	IC Power Supply

## ABSOLUTE MAXIMUM RATINGS

Over operating free-air temperature range (unless otherwise noted) <sup>(1)</sup>

PARAMETER		MIN	MAX	Unit
Supply Voltage	V <sub>CC</sub>	-0.3	36	V
		-18	18	V
Differential Input Voltage	V <sub>IND</sub>	-36	36	V
Input Voltage	V <sub>IN</sub>	-0.3	36	V
		-18	18	V
Input Current (V <sub>IN</sub> < -0.3 V)	I <sub>IO</sub>		50	mA
Operating junction temperature range	T <sub>J</sub>	-40	125	°C
Maximum Junction Temperature	T <sub>J(MAX)</sub>		150	°C
Storage temperature range	T <sub>STG</sub>	-65	150	°C

(1) Stresses beyond those listed under **absolute maximum ratings** may cause permanent damage to the device. These are stress ratings only, and functional operation of the device at these or any other conditions beyond those indicated under **recommended operating conditions** is not implied. Exposure to absolute-maximum-rated conditions for extended periods may affect device reliability.

## RECOMMENDED OPERATING CONDITIONS

PARAMETER		MIN	TYP	MAX	UNIT
V <sub>CC</sub>	Supply Voltage	2		32	V
T <sub>A</sub>	Operating Ambient temperature	-40		85	°C

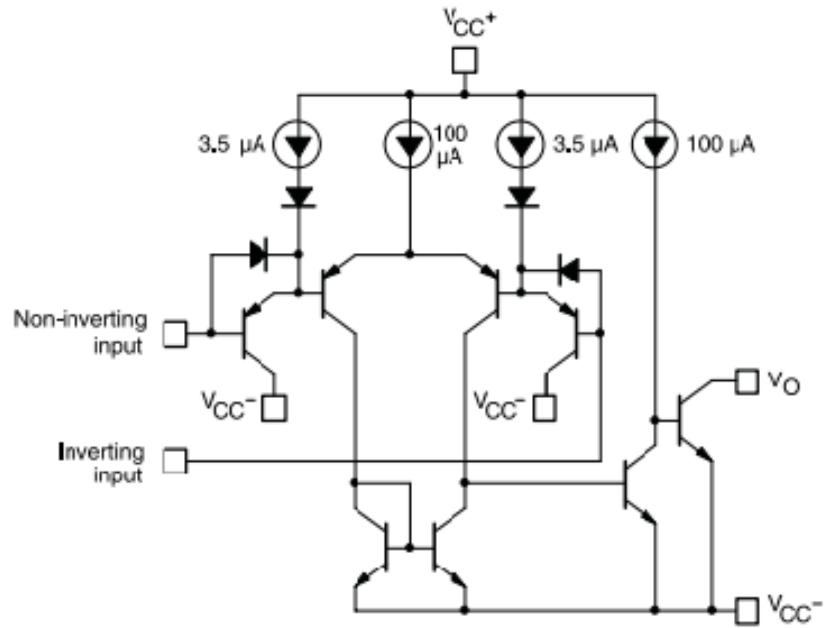
## ELECTRICAL CHARACTERISTICS

Test Condition :  $V_{CC} = 5.0V$ , unless otherwise specified, all limits are 100% test at  $T_A = 25^\circ C$ . <sup>(1)</sup>

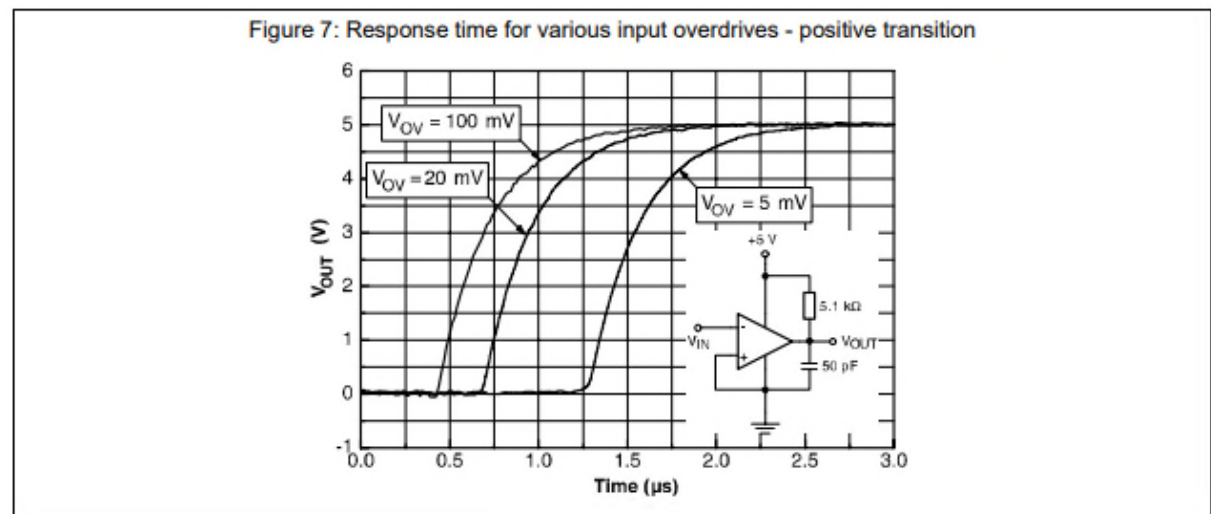
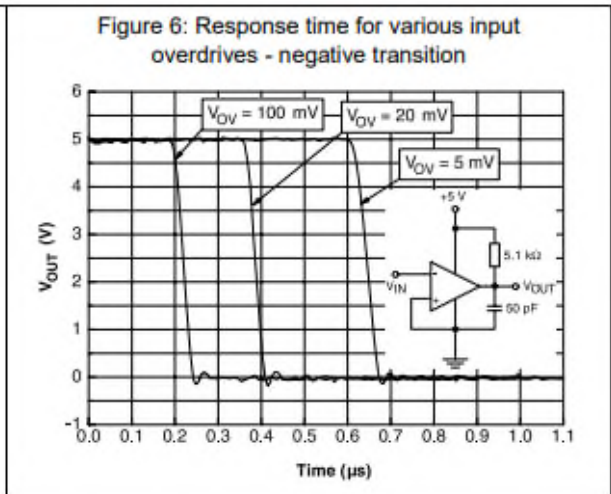
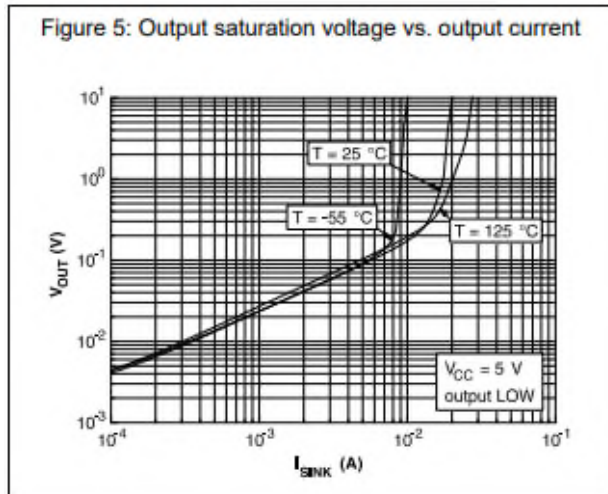
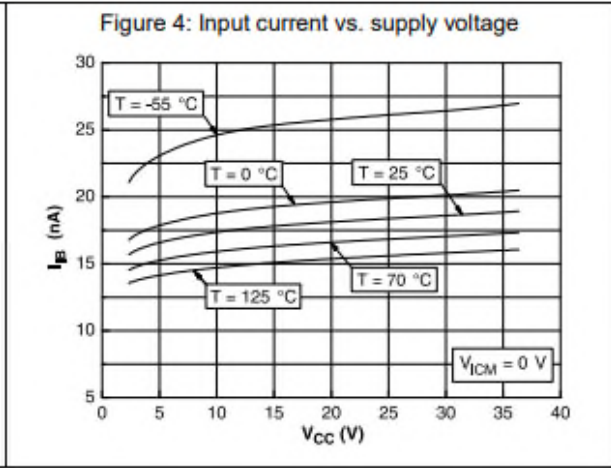
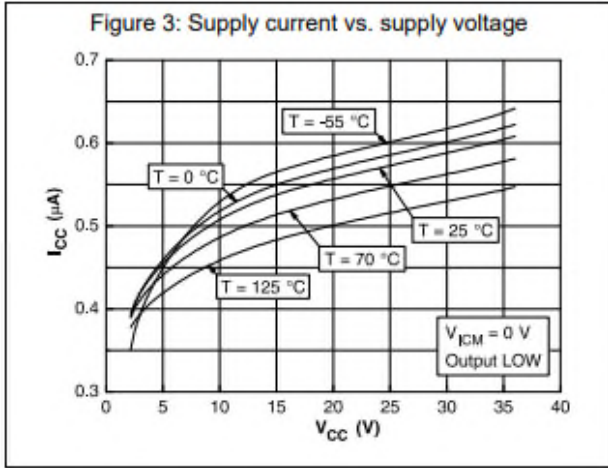
PARAMETER		TEST CONDITIONS	MIN	TYP	MAX	UNIT
$V_{IO}$	Input Offset Voltage	$V_{CC} = 5 V$ to $30 V$ , $V_{IC} = V_{ICRMIN}$ , $V_O = 1.4 V$ , $T_A = 25^\circ C$		2	5	mV
		$V_{CC} = 5 V$ to $30 V$ , $V_{IC} = V_{ICRMIN}$ , $V_O = 1.4 V$ , $T_A = -40$ to $125^\circ C$			9	mV
$I_{IO}$	Input Offset Current	$V_O = 1.4 V$ , $T_A = 25^\circ C$		5	50	nA
		$V_O = 1.4 V$ , $T_A = -40$ to $125^\circ C$			150	nA
$I_{IB}$	Input Bias Current	$V_O = 1.4 V$ , $T_A = 25^\circ C$		-25	-250	nA
		$V_O = 1.4 V$ , $T_A = -40$ to $125^\circ C$			-400	nA
$V_{ICR}$	Common-mode Input Voltage Range <sup>(1)</sup>	$T_A = 25^\circ C$	0		$V_{CC}-1.5$	V
		$T_A = -40$ to $125^\circ C$	0		$V_{CC}-2.0$	V
$A_{VD}$	Large-signal Differential Voltage Amplification	$V_{CC} = 15 V$ , $V_O = 1.4 V$ to $11.4 V$ , $R_L = 15 k\Omega$ to $V_{CC}$	50	200		V/mV
$V_{OL}$	Low-Level Output Voltage	$I_{OL} = 4 mA$ , $V_{ID} = -1 V$ , $T_A = 25^\circ C$		150	400	mV
		$I_{OL} = 4 mA$ , $V_{ID} = -1 V$ , $T_A = -40$ to $125^\circ C$			700	mV
$I_{OH}$	High-Level Output Current	$V_{OH} = 5 V$ , $V_{ID} = 1 V$ , $T_A = 25^\circ C$		0.1	50	nA
		$V_{OH} = 30 V$ , $V_{ID} = 1 V$ , $T_A = -40$ to $125^\circ C$			1	$\mu A$
$I_{OL}$	Low-Level Output Current	$V_{OL} = 1.5 V$ , $V_{ID} = -1 V$	6			mA
$I_{CC}$	Supply Current	$R_L = \infty$ , $V_{CC} = 5 V$ , $T_A = 25^\circ C$		0.8	1	mA
		$R_L = \infty$ , $V_{CC} = 30 V$ , $T_A = -40$ to $125^\circ C$			2.5	mA
$t_{RES}$	Response Time	$R_L$ connected to $5 V$ through $5.1 k\Omega$ , $C_L = 15 pF^{(2)}$ , $100 mV$ input step with $5 mV$ over-drive		1.3		$\mu S$
		$R_L$ connected to $5 V$ through $5.1 k\Omega$ , $C_L = 15 pF^{(2)}$ , TTL-level input step		0.3		$\mu S$

- (1) The voltage at either input or common-mode should not be allowed to go negative by more than 0.3V. The upper end of the common-mode voltage range is  $V_{CC}-1.5V$ , but either or both inputs can go to 30V without damage.
- (2) The response time specified is the interval between the input step function and the instant, when the output crosses 1.4 V.  $C_L$  includes probe and jig capacitance.

**SCHEMATIC DIAGRAM**



**TYPICAL PERFORMANCE CHARACTERISTICS**



**TYPICAL PERFORMANCE CHARACTERISTICS**

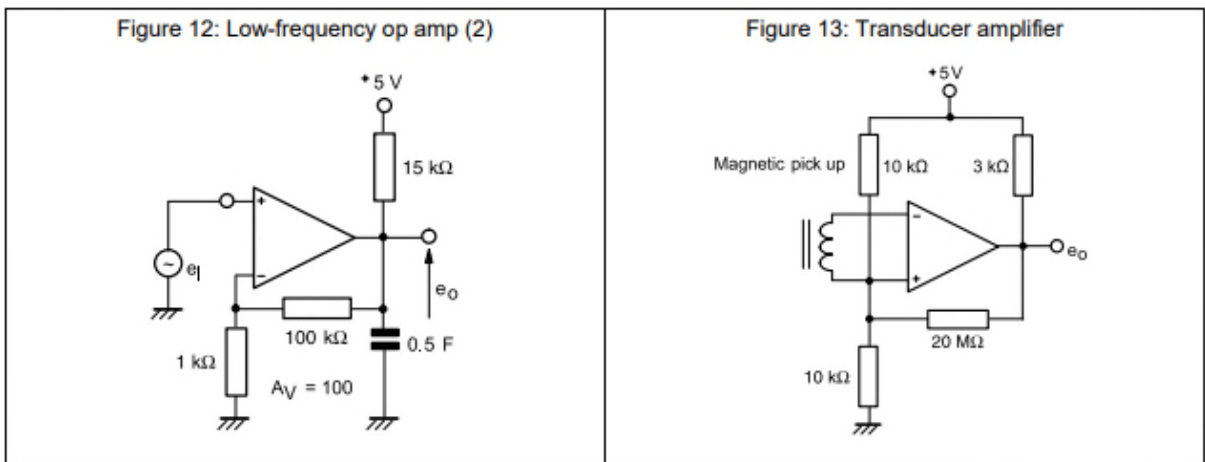
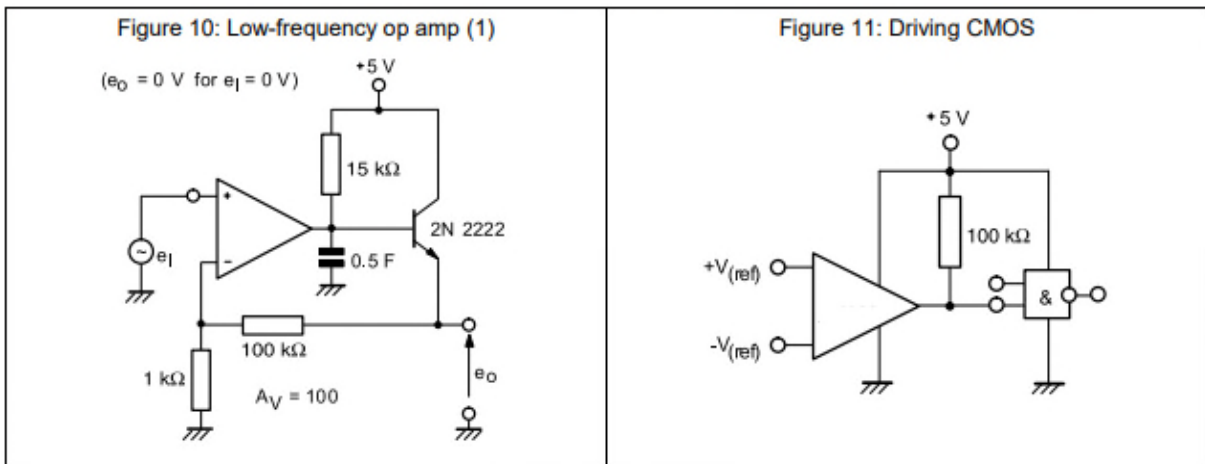
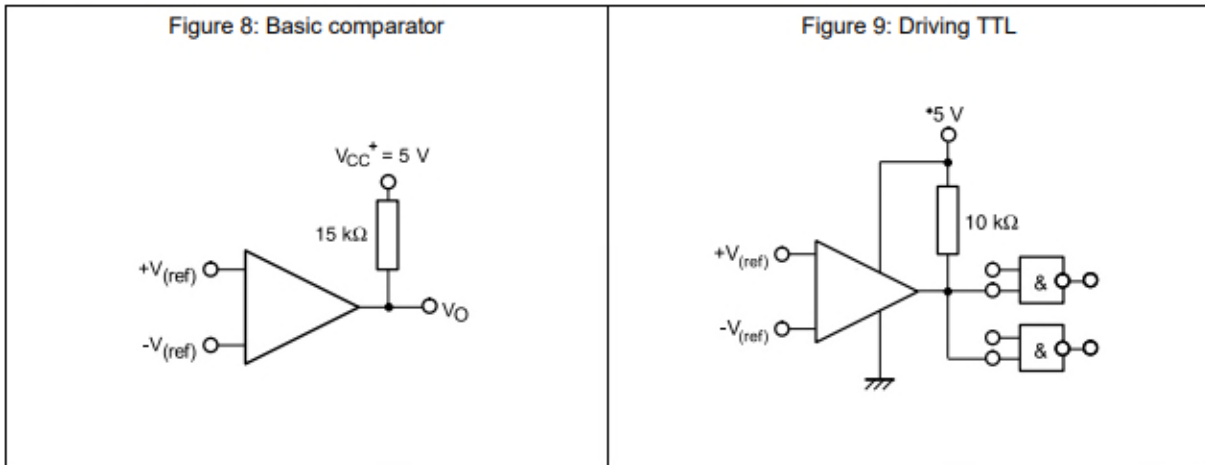


Figure 14: Low-frequency op amp with offset adjust

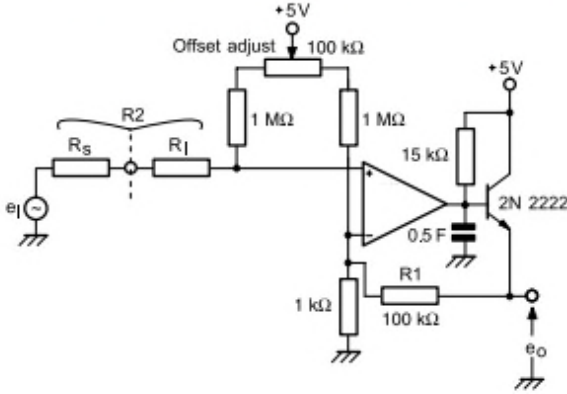


Figure 15: Zero crossing detector (single power supply)

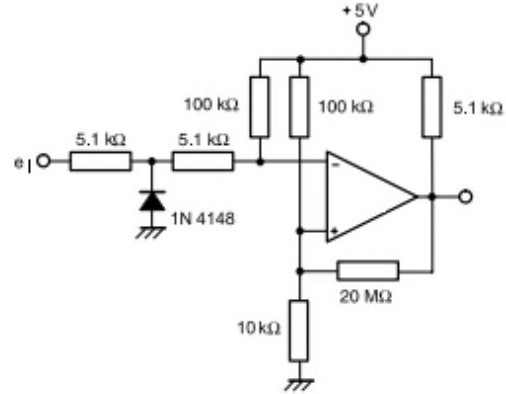


Figure 16: Limit comparator

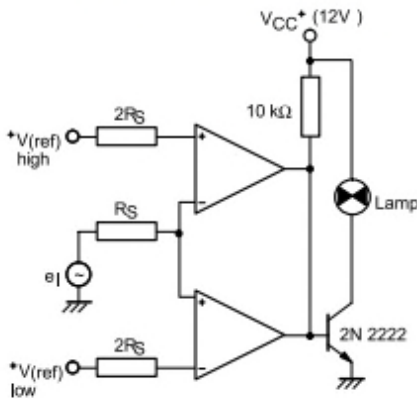


Figure 17: Crystal controlled comparator

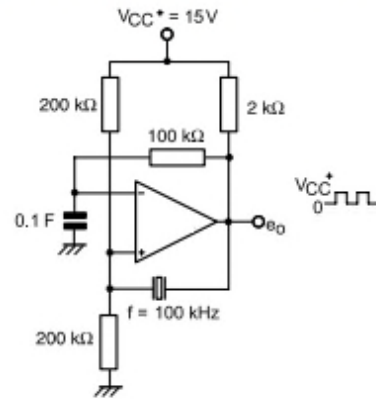


Figure 18: Split supply applications  
(zero crossing detector)

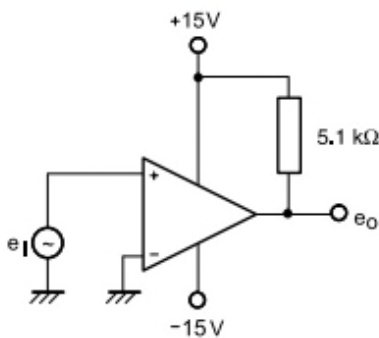
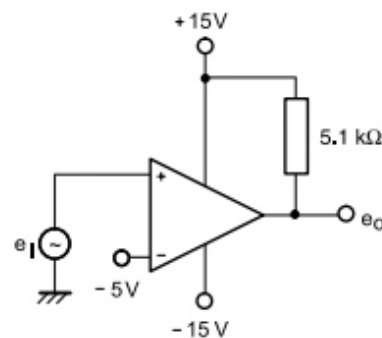


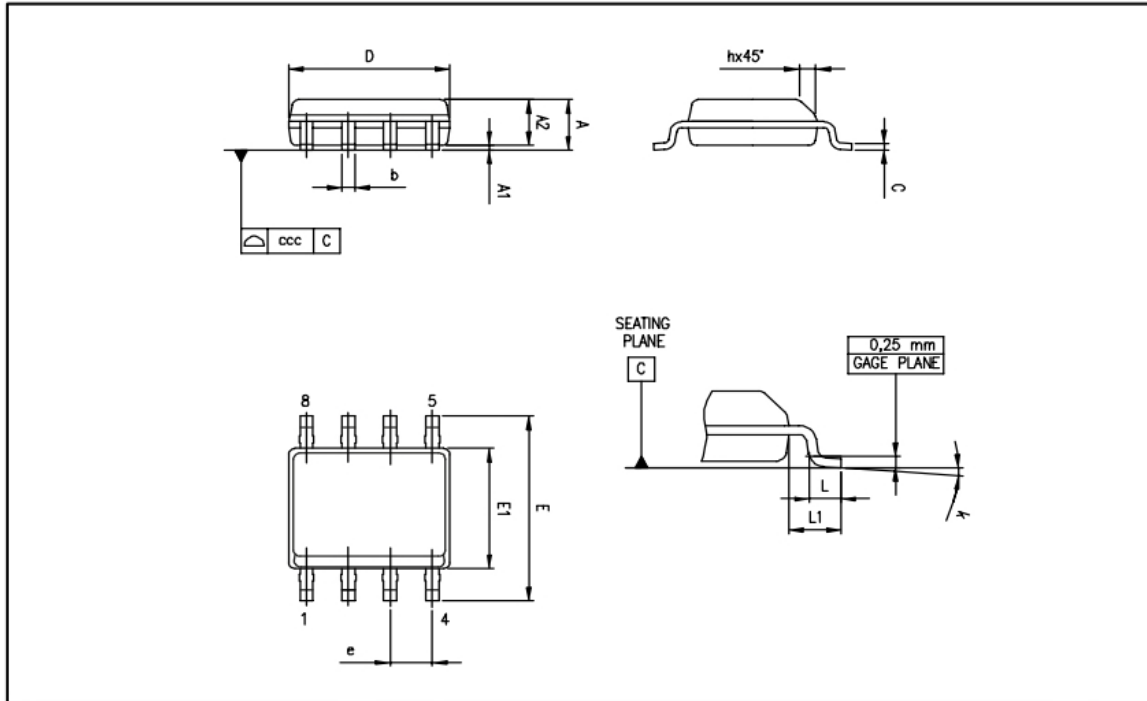
Figure 19: Comparator with a negative reference





**PACKAGE OUTLINE DIMENSION (SOP-8P)**

SOP-8P Unit (mm)



Ref.	Dimensions					
	Millimeters			Inches		
	Min.	Typ.	Max.	Min.	Typ.	Max
A			1.75			0.069
A1	0.10		0.25	0.004		0.010
A2	1.25			0.049		
b	0.28		0.48	0.011		0.019
c	0.17		0.23	0.007		0.010
D	4.80	4.90	5.00	0.189	0.193	0.197
E	5.80	6.00	6.20	0.228	0.236	0.244
E1	3.80	3.90	4.00	0.150	0.154	0.157
e		1.27			0.050	
h	0.25		0.50	0.010		0.020
L	0.40		1.27	0.016		0.050
L1		1.04			0.040	
k	0°		8°	0°		8°
ccc			0.10			0.004

## Disclaimer

- Reproducing and modifying information of the document is prohibited without permission from Panjit International Inc..
- Panjit International Inc. reserves the rights to make changes of the content herein the document anytime without notification. Please refer to our website for the latest document.
- Panjit International Inc. disclaims any and all liability arising out of the application or use of any product including damages incidentally and consequentially occurred.
- Panjit International Inc. does not assume any and all implied warranties, including warranties of fitness for particular purpose, non-infringement and merchantability.
- Applications shown on the herein document are examples of standard use and operation. Customers are responsible in comprehending the suitable use in particular applications. Panjit International Inc. makes no representation or warranty that such applications will be suitable for the specified use without further testing or modification.
- The products shown herein are not designed and authorized for equipments requiring high level of reliability or relating to human life and for any applications concerning life-saving or life-sustaining, such as medical instruments, transportation equipment, aerospace machinery et cetera. Customers using or selling these products for use in such applications do so at their own risk and agree to fully indemnify Panjit International Inc. for any damages resulting from such improper use or sale.
- Since Panjit uses lot number as the tracking base, please provide the lot number for tracking when complaining